

STERILE STANDARD SURGICAL GOWN “EXPO” MODEL IN NON WOVEN SPUNLACE

Specialist surgical gown for surgical operations made of non-woven Softesse® Style F808 - DuPont™ Medical Fabrics water repellent. The wrap-around shape provides an excellent fit making it ideal for long-lasting interventions. The water-repellent material offered by a bacteriological barrier entails at the same time a high breathability of the cute exploring the rise in body temperature. Eliminates the risk of cross-contamination as it is a single use device.

TECHNICAL FEATURES: Dimensional tolerance ± 5%

- Softesse® Style F808 water repellent non-woven coat - DuPont™ Medical Fabrics
- Closure of the enveloping gown and superimposed on the back with 4 laces
- The external closing laces are marked with a cardboard
- Closure of the lab coat on the neck with wrapping and overlapping velcro
- Wide sleeve that allows any type of movement
- Coat with double reinforced seams
- Shirts with cotton jersey cuffs
- 2 towel wipes packed with shirts
- Gown folded so as to be worn without pollution of the sterile field
- Shirts packed in double protection

PRODUCTION:

The product is produced and packaged in a special **clean room with a controlled environment**

CLEAN ROOM WITH CONTROLLED ENVIRONMENT:

Class ISO 8 – Standard UNI-EN ISO 14644-1.

Environment with constant temperature and humidity; by means of special ventilation and filtering systems, the presence of the bacterial load is kept controlled and at low levels.

PACKAGING:

Sterile gown, packed in bag for sterilization with peel-open opening and sterilization indication, packed in cardboard boxes.

STERILIZATION:

Sterilization is carried out with ethylene oxide; the sterilization process is regularly validated and kept under constant control by routine analysis; and the residue of the sterilizing gas is kept within the limits established by the current legislation. Sterilization is performed by a specialized laboratory.

SHELF LIFE :

This product is valid for 59 months from the sterilization date (MONTH-YEAR). The expiry date indicated refers to the product in its unopened and correctly preserved packaging.

QUALITY CONTROL:

The quality system adopted by ALLE complies with the following regulations:

- **EN ISO 13485**
- Checks are carried out at all stages of processing: entry, production, packaging.

GENERAL PRECAUTIONS AND WARNINGS

This product should only be used by qualified and trained personnel. Always read the label.

STORAGE:

- The items are stored in the original cardboard boxes, in a closed and clean environment protected from sunlight
- The integral sales package is guaranteed impermeable to direct and indirect light sources.

PRODUCT DISPOSAL:

The device listed in this document can be disposed of as non-hazardous waste in authorized plants, including incineration, in accordance with current regulations.

However, if the device used during surgical procedures in the operating room is exposed to contact with the patient's biological fluids, it must be treated and disposed of as hospital waste.

LATEX AND PHTHALATE-FREE:

- The device does not contain natural rubber latex (Latex free)
- The device does not contain phthalates (PVC free)
- The device does not contain elements (adhesives, chemicals, etc.) that could cause allergies or any skin reaction.

REMOVABLE LABELING

Device equipped with double removable adhesive labeling to facilitate traceability.

Each envelope is provided with a removable adhesive label to facilitate operators to ensure the traceability of the devices during operations. The removable parts of the label can be detached from the envelope and applied to the medical record or to any other document that is used for traceability.



LABELLING:

Each individual package is provided with an internal label visible through the transparent packaging; this label is complete with all the information necessary to identify the product:

- trade name of the product
- product code number
- manufacturer's name
- production batch number
- expiry date
- single-use symbol
- production area
- CE marking
- warnings

There is an adhesive label on the transport packaging bearing all the information required to identify the product as indicated above and the no. of kits per pack

CND: T020401 (national classification of medical devices)

PRODUCT CLASSIFICATION: CLASS IS Medical Device

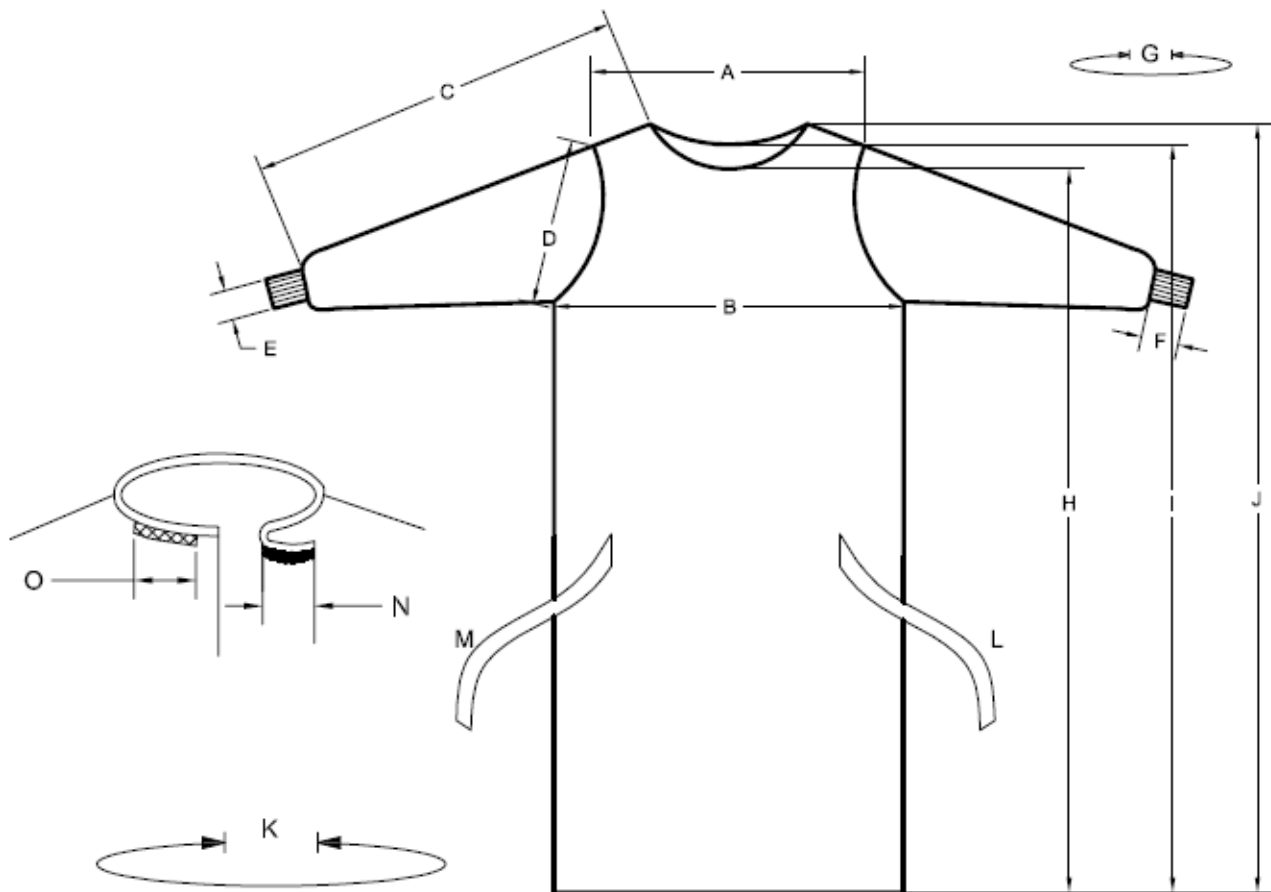
STERILE STANDARD SURGICAL GOWN "EXPO" MODEL IN NON WOVEN SPUNLACE

DIMENSIONS	PACKAGING	CODE
LARGE SIZE	12 pcs	270409

TECHNICAL SPECIFICATIONS OF THE MATERIALS

SPUNLACE NON WOVEN FABRIC			
Non Woven Spunlace Softesse [®] – DuPont [™] Medical Fabrics is made with 55% woodpulp and 45% polyester. Spunlace create an excellent barrier against liquids and particles, while being, at the same time, highly air permeable. Class I flammability and weight 67 gsm			
WEIGHT	gsm	67	
COLOR	Light-blue		
PHYSICAL PROPERTIES - EN 13795	UNIT	VALUES	TEST METHOD
TENSILE STRENGTH - DRY	N	37.60	EN 29073-3
TENSILE STRENGTH - WET	N	40.90	EN 29073-3
CLEANLINESS MICROBIAL	Log(10)cfu/dm ²	0	EN 1174
LINTING	Log(10)	3.70	ISO 9073-10
PARTICULATE MATTER	IPM	3.40	ISO 9073-10
RESISTANCE TO MICROBIAL PENETRATION - DRY	Log(10)cfu	0	ISO 22612
RESISTANCE TO MICROBIAL PENETRATION - WET	BI	3.70	ISO 22610
RESISTANCE TO LIQUID PENETRATION	Cm H ₂ O	23.80	EN 20811
BURSTING STRENGTH - DRY	KPa	211.00	EN 13938-1
BURSTING STRENGTH - WET	KPa	260.00	EN 13938-1





GOWN DIMENSION – Measures cm		M	L	XL
A	Shoulder width	57	57	66
B	Chest width	63	65	75
C	Total arm length	76	79	88
D	Sleeve width	29	29	29
E	Cuff width	6	6	6
F	Cuff length	7	7	7
G	Neck circumference	71	74	75
H	Overall length from the center	120	122	125
I	Overall length	127	130	131
J	Maximum overall length	128	133	134
K	Total circumference of the lab coat	149	148	160
L	Belt length	43	43	43
M	Belt length	66	66	66
N	Male velcro	5	5	5
O	Female velcro	18	18	18

